



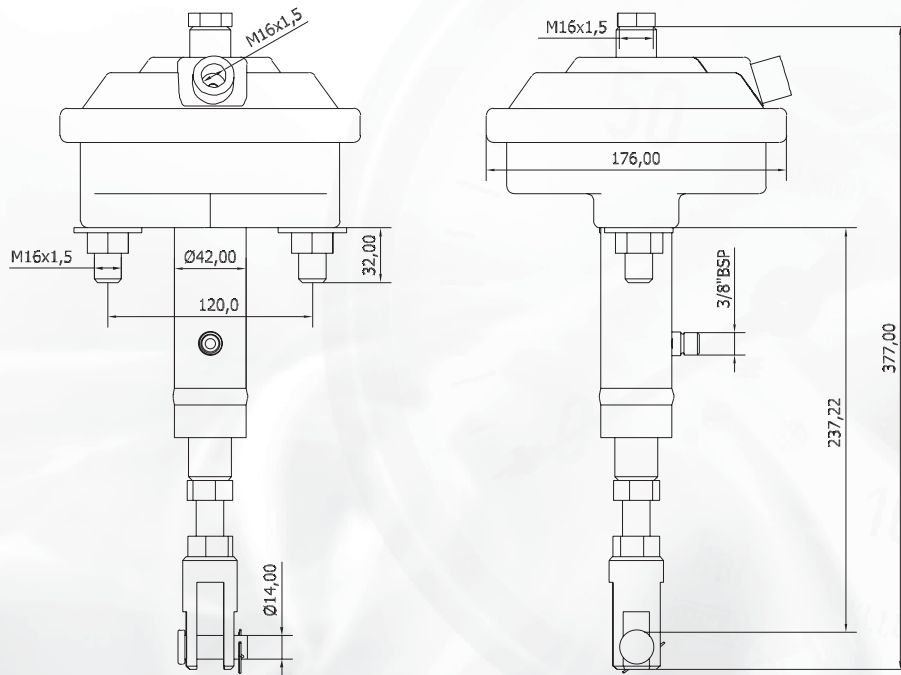
Hydraulic / Pneumatic

Brake Actuator

The dual supply brake actuator is a combination of a standard pneumatic brake chamber and a single acting hydraulic cylinder both with an integrated spring return.

The combination is suitable for hydraulic and pneumatic brake operations and recommended for cam brake axles. The actuator is supplied complete with clevis, available in three hydraulic cylinder sizes and well protected with zinc plated and powercoated surfaces.

Technical information:



Dimensions Brake Actuator (mm)		
Partnumber	Air Pot	Cylinder Rod
BCDT2020	T20	20
BCDT2025	T20	25
BCDT2030	T20	30

For more information about our full product assortment, stock and prices we refer to our sales department and/or our website at www.kavee.com.



TECHNICAL INNOVATION IS OUR STANDARD

