



Hydraulic top link

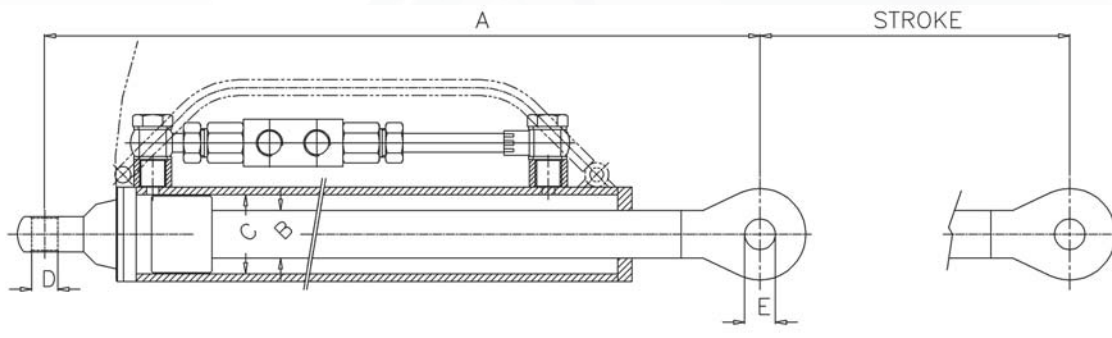
TEVNA

This top link is for use on tractors upto 220kW (300HP) and supplied complete with hydraulic non-return valve, hook and ball end Cat. 3 C32,3mm.



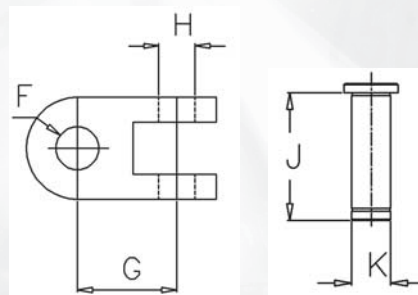
Technical information:

Dimensions top link (mm)						
Type	A	B	C	D	E	Stroke
TEVNA6012522333	552	60	125	32,3	CAT3	223



Dimensions fork end			
Type	F	G	H
201574	32,3	110	32,1

Dimensions Pin		
Type	K	J
201577	32	112



For more information about our full product assortment, stock and prices we refer to our sales department and/or our website at www.kavee.com.



TECHNICAL INNOVATION IS OUR STANDARD

