



Hylights

Information for hydraulic specialist

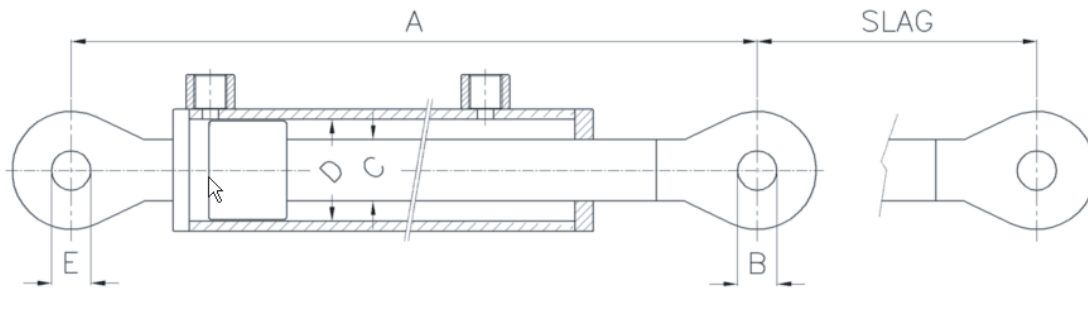
Hydraulic top link

TENNN

Two sides ball joint



Technical information



| Dimensions toplink | | | | | | |
|--------------------|-----|------|----|----|------|--------|
| Type | A | B | C | D | E | Stroke |
| TENNN 305010011 | 350 | CAT1 | 30 | 50 | CAT1 | 100 |
| TENNN 305015011 | 390 | CAT1 | 30 | 50 | CAT1 | 150 |
| TENNN 305020011 | 440 | CAT1 | 30 | 50 | CAT1 | 200 |
| TENNN 305020022 | 440 | CAT2 | 30 | 50 | CAT2 | 200 |
| TENNN 305028511 | 550 | CAT1 | 30 | 50 | CAT1 | 285 |
| TENNN 305028522 | 550 | CAT2 | 30 | 50 | CAT2 | 285 |
| TENNN 305035022 | 610 | CAT2 | 30 | 50 | CAT2 | 350 |
| TENNN 356025022 | 550 | CAT2 | 35 | 60 | CAT2 | 250 |
| TENNN 356030022 | 580 | CAT2 | 35 | 60 | CAT2 | 300 |
| TENNN 357025022 | 556 | CAT2 | 35 | 70 | CAT2 | 250 |

For more information about our full product assortment, stock and prices we refer to our sales department and/or our website at www.kavee.com.



TECHNICAL INNOVATION IS OUR STANDARD

