



Hylights

Information for hydraulic specialist

Cylinder

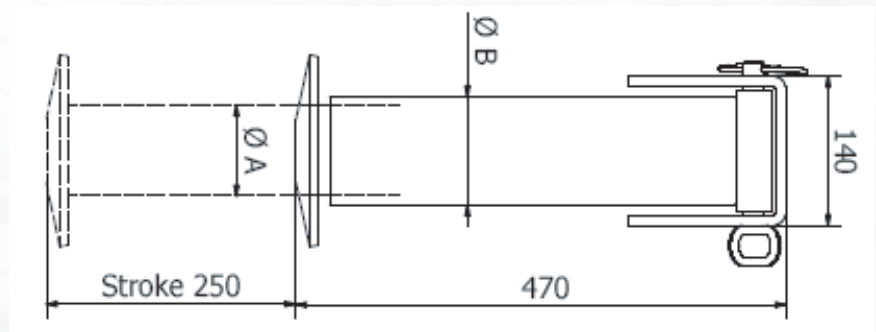
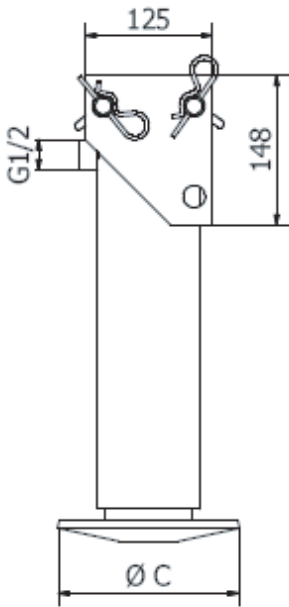
Hydraulic stand jack cylinder

Application: Stand jack cylinder
 Construction: Return by built-in spring
 Pressure (bar): 200 bar

Technical information:

Single-acting hydraulic cylinder with internal spring return. Application as stand jack cylinder for trailer hitch, carried out with mechanical closure and yoke.

- Weight: 15 kg (SP65250C), 22kg (SP85250C)
- Suitable for mineral oils
- Stroke volume: 830cc (SP65250C), 1420cc (SP85250C)
- Temperature range -30°C to +90 °C
- Chromium hardened rod
- Colour: dull black



Part number	Stroke (mm)	Rod (A) (mm)	Tube (B) (mm)	Foot (C) (mm)	Seal kit
SP65250C	250	65	82	160	SP965
SP85250C	250	85	102	180	SP985

For more information about our full product assortment, stock and prices we refer to our sales department and/or our website at www.kavee.com.



TECHNICAL INNOVATION IS OUR STANDARD

